

# Switch Gear Current Transformer AC Current Sensor RCT-35SW

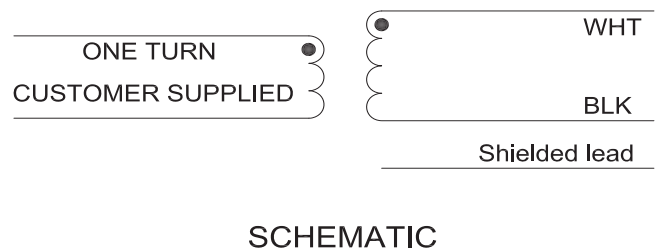
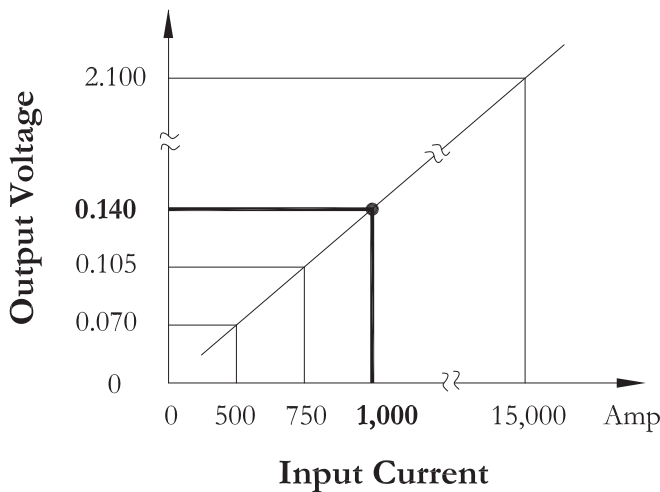
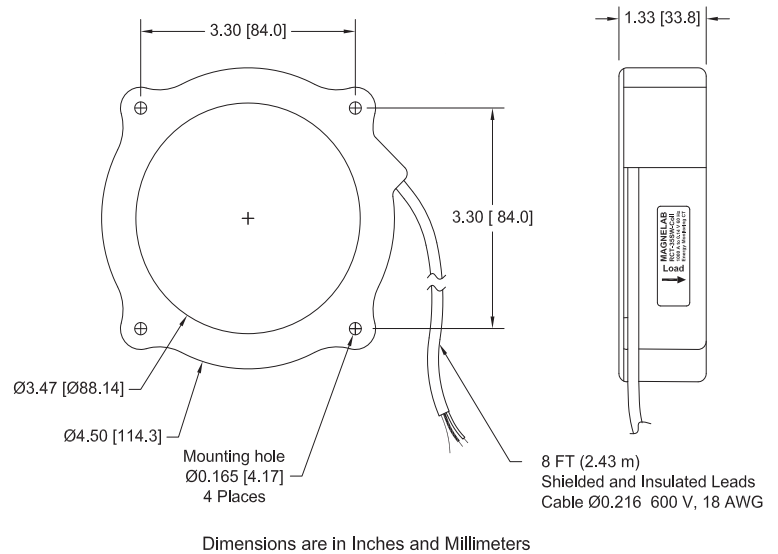
## 3.5-Inch Solid Rogowski Coil

### Description:

Magnelab RCT-35SW solid Rogowski coil current sensor measures AC current up to a peak of 15,000 Amps. The rugged, epoxy encapsulated construction makes the sensor ideal for switchgear applications in harsh environments.

### Features:

- Inputs: 1000 A, peak 15,000 A
- Outputs: 140 mV at 1000 A at 60 Hz
- DCR: 102 Ω
- Inductance: 0.820 mH
- Linearity Accuracy 1.0 compliant with IEC 61869-2
- Accuracy from 0.5 A to 15,000 A
- Phase angle < 0.1° (from 90° with unintegrated output)
- Best performance when used with Magnelab Integrator
- Otherwise, suggested minimum input impedance: 10 kΩ
- 8 ft. shielded and insulated leads 600 V, 18 AWG
- Maximum Voltage: 600 V (on bare conductor)
- Custom length is available
- Operating Temperature: -40°C to 85°C
- Storage Temperature: -45°C to 105°C
- Constructed to IEEE C57.13 insulation (UL Listed Pending)
- Weight 173 grams



Pre-Release. All information presented here is subject to change prior to product release.