

MAGNELAB

Solid-Core AC Current Sensor UCT-1000

1" Opening with Ratings Up to 200 Amps

Revenue Grade

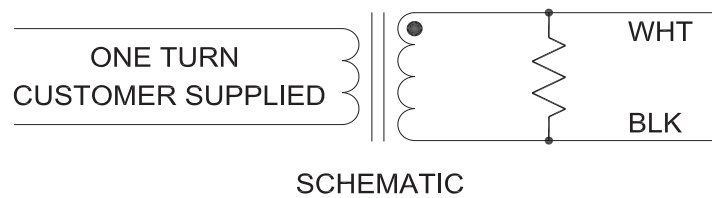
Magnelab UCT-1000 Series exceed Accuracy Class 0.5% per IEC 61869-2. Output is controlled by a precision resistor fixed at the industry standard of 0.3333 Volt AC. The rugged epoxy encapsulated construction comes standard with 8 foot twisted leads. Custom lead length and other outputs are available upon request. Revenue Grade meets or exceeds IEC metering Class 0.5



MAGNELAB.COM

SPECIFICATIONS

Rated Primary Current	Up to 200 Amp
Rated Output	0.33333 V (AC) at rated current
Accuracy	± 0.5% Class per IEC 61869-2
Phase Displacement	< 0.26°
Temperatures	UL Rated Ambient: 55°C Operating: -20°C to 105°C Storage: -40°C to 110°C
UL Relative Humidity Rating	85%
Leads	Length: 8 ft (2.4 m) 22 AWG twisted pair Rating: 600 V (UL 1015, UL 1213)
UL Max Voltage	600 V on Primary Conductor
RMS Voltage	3,800 V for AC insulation Test (1 min)
Rated Current Frequency	30-1000 Hz
Minimum impedance	75 kOhms
Certifications	UL Standard 61010-1, EN 60044-1
Weight	0.27 lbs (0.124 kg) with 8' leads

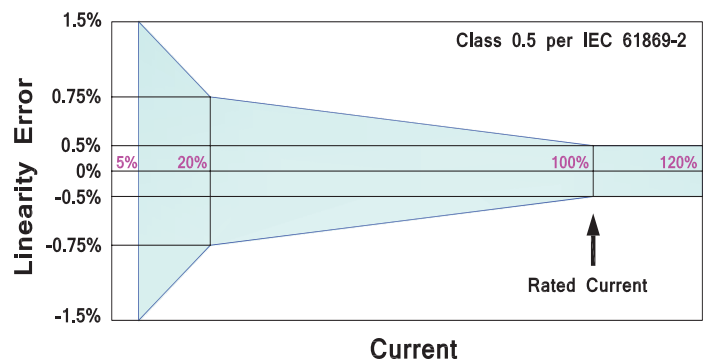
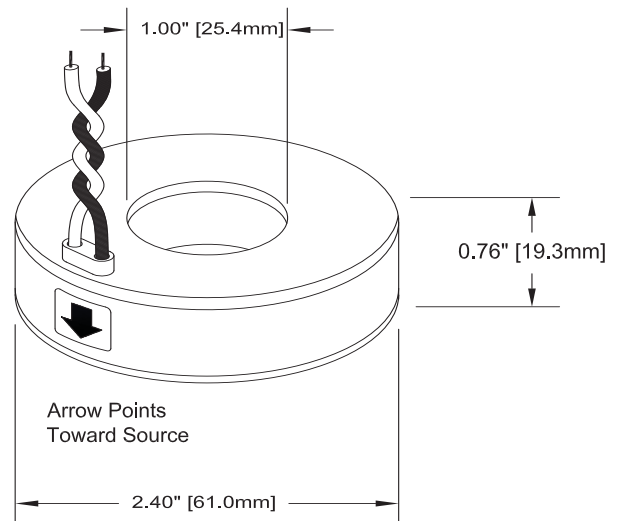


PART NUMBER	RATING
UCT-1000-000	No Burden Resistor *
UCT-1000-050	50 AMP
UCT-1000-070	70 AMP
UCT-1000-100	100 AMP
UCT-1000-150	150 AMP
UCT-1000-200	200 AMP

* Limits the Output Voltage to 22 V

APPLICATIONS

- Submetering
- Revenue-grade Metering
- Smart Home Energy Management System
- Power Generation Monitoring
- Industrial Pump Monitoring
- Solar Consumption Monitoring
- EV Charging Stations
- Substation LV/MV/HV
- Lifecycle Management of Equipment



CE RoHS2 ISO9001

**Magnelab reserves the right to implement modifications without prior notice