

Split-Core AC Current Sensor SCT-0200

0.20" Opening with Ratings Up to 10 Amps, 1.0%

Magnelab's SCT-0200 Series Split-Core Current Sensors "sense" AC current up to 10 Amps passing through the center conductor. Split-core transformers are ideal for installation on existing electrical wiring by snapping around the conductor. The SCT-series have a self-locking mechanism guaranteed for 500 opening-closing cycles. Custom outputs and other parameters are available at customer request.

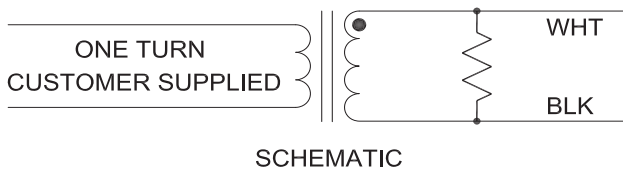
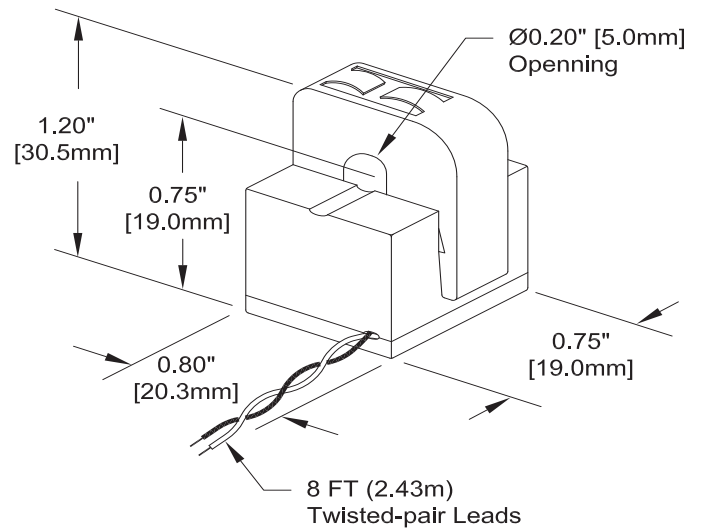


SPECIFICATIONS

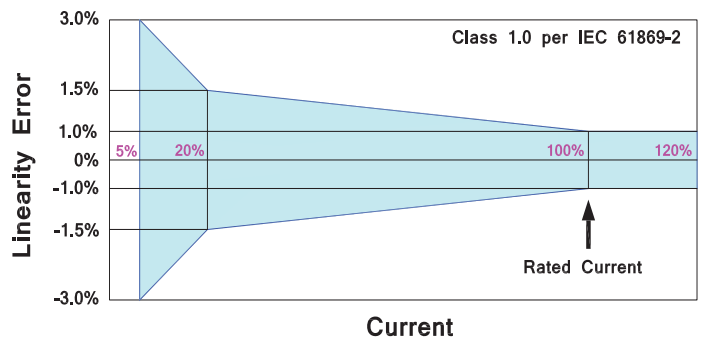
Rated Primary Current	Up to 10 Amp (or custom amperage)
Rated Output	0.333 V (AC) at rated current
Accuracy	±1% accuracy from 10% to 130% rated current
Phase Displacement	< 2° at rated current
Temperatures	Rated Ambient: 55°C Operating: -20°C to 75°C Storage: -40°C to 90°C
Relative Humidity Rating	85%
Leads	Length: 8 ft (2.4 m) 22 AWG twisted pair Rating: 600 V (UL 1015)
UL Max Voltage	600 V on Primary Conductor
RMS Voltage	3,000 V for AC insulation Test (1 min)
Rated Current Frequency	30-400 Hz
Minimum impedance	75 kOhms
Certifications	Constructed to IEEE C57.13, IEC 60044-1
Weight Approx.	0.125 lbs (56.7 g) with 8' leads

APPLICATIONS

- Energy Sub-metering
- Smart Home Energy Management System
- Power Generation Monitoring
- Industrial Pump Monitoring
- Solar Consumption Monitoring
- EV Charging Stations
- Lifecycle Management of Equipment



Dimensions are in Inches and Millimeters



PART NUMBER	RATING
SCT-0200-000	NO BURDEN RESISTOR *
SCT-0200-0.5	0.5 AMP
SCT-0200-001	1 AMP
SCT-0200-002	2 AMP
SCT-0200-005	5 AMP
SCT-0200-010	10 AMP

* Zener diode limits the output voltage to 22V

