

Split-Core AC Current Sensor SCT-3000

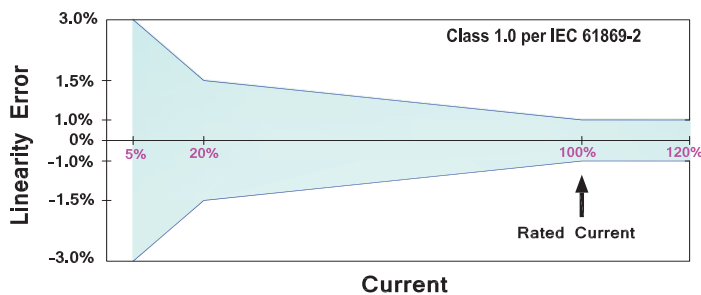
3.00" Opening with Ratings Up to 3000 Amps

Magnelab's SCT-3000 Series Split-Core Current Sensors "sense" AC current up to 3000 Amps passing through the center conductor. Split-core transformers are ideal for installation on existing electrical wiring by snapping around the conductor. The SCT series have a self-locking mechanism. Custom outputs and other parameters are available at customer request.



SPECIFICATIONS

Rated Primary Current	Up to 3000 Amp (or custom amperage)
Rated Output	0.333 V (AC) at rated current
Accuracy	1.0 Class per IEC 61869-2
Phase Displacement	< 0.2° measured at rated current
Temperatures	UL Rated Ambient: 131°F (55°C) Operating: -4°F (-20°C) to 158°F (70°C) Storage: -4°F (-20°C) 176°F to 80°C
UL Relative Humidity Rating	85%
Leads	Length: 8 ft (2.4 m) 22 AWG twisted pair Rating: 600 V (UL 1015, UL 1213)
UL Max Voltage	600 V on Primary Conductor
RMS Voltage	3,800 V for AC insulation Test (1 min)
Rated Current Frequency	30-1000 Hz
Minimum impedance	75 kOhms
Certifications	UL Standard 61010-1, EN 60044-1
Weight	2.55 lbs (1.16 kg) with 8' leads

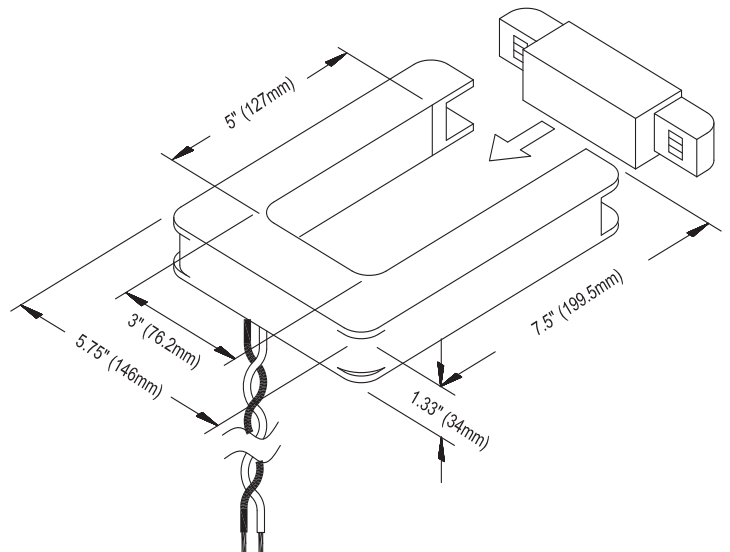


PART NUMBER	RATING
SCT-3000-000	NO BURDEN RESISTOR*
SCT-3000-400	400 AMP
SCT-3000-600	600 AMP
SCT-3000-800	800 AMP
SCT-3000-1000	1000 AMP
SCT-3000-1200	1200 AMP
SCT-3000-1500	1500 AMP
SCT-3000-2000	2000 AMP
SCT-3000-2500	2500 AMP
SCT-3000-3000	3000 AMP

* Limits the Output Voltage to 22 V

APPLICATIONS

- Submetering
- Revenue-grade Metering
- Smart Home Energy Management System
- Power Generation Monitoring
- Industrial Pump Monitoring
- Solar Consumption Monitoring
- EV Charging Stations
- Substation LV/MV/HV
- Lifecycle Management of Equipment



SCHEMATIC

